

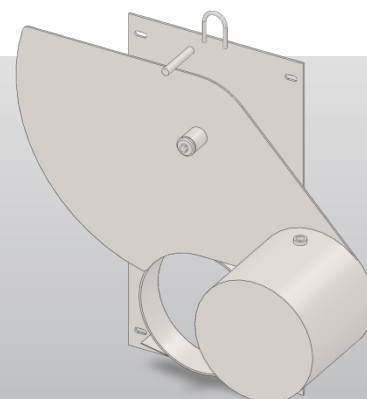
FLOREG

Flow regulator with floater

made of stainless steel



Stainless steel



Leakage flow control of storm water basins and storm water overflow.

♦ APPLICATION

The FLOREG flow regulator makes it possible to control the flow rates in the combined network and in separate networks.

♦ **SIZE** From 5 to 800 l/s

♦ ADVANTAGES

- ✓ Reliability: full opening of the orifice when idle and precision as to the flow
- ✓ Reactivity: setpoint flow reached with a low water height
- ✓ Limited encumbrance: low front encumbrance
- ✓ Easy to implement: seal and fastening kit provided
- ✓ Hydraulic response curve available upon request
- ✓ Tailored: suitable for specific projects
- ✓ Decennial warranty via insurance supplemented by an Epers

OPERATION

The FLOREG flow regulator with floater is characterised by:

- ♦ a progressive closing of the orifice by a diaphragm connected to a floater
- ♦ reaching the setpoint flow rate as soon as the orifice is loaded

DIMENSIONING

Reference	Flow rate (l/s)	Max. water height (mm)	DN	A	B	L1	L2	Weight (kg)
FL-A5-9	5 to 9	370	200	300	425	250	200	5
FL-A10-20	10 to 20	510	200	300	525	350	275	7
FL-B21-40	21 to 40	675	300	400	675	450	375	16
FL-B41-75	41 to 75	865	300	400	825	575	475	20
FL-C76-110	76 to 110	1010	400	500	950	675	550	25
FL-C111-135	111 to 135	1100	400	500	1025	750	600	27
FL-C136-164	136 to 164	1185	400	500	1100	800	650	29
FL-D165-199	165 to 199	1280	500	600	1175	850	725	34
FL-D200-284	200 to 284	1475	500	600	1350	975	825	55
FL-E285-325	285 to 325	1560	600	700	1425	1050	850	58
FL-E326-375	326 to 375	1650	600	700	1500	1100	900	63
FL-E375-425	376 to 425	1730	600	700	1575	1150	950	68
FL-E426-459	426 to 459	1790	600	700	1625	1200	975	80
FL-E460-650	460 to 650	2055	800	900	1825	1375	1125	100
FL-F651-800	651 to 800	2230	800	900	1975	1500	1225	125

DESIGN

- ♦ Made from AISI 304L stainless steel
- ♦ Rotation ring made of polymer material, maintenance-free
- ♦ Delivered with a seal and fastening kit with expandable anchor plugs made of 316L stainless steel
- ♦ Device is factory-set

OPTIONS

- ♦ Assembly and commissioning - MO

FLOREG

Flow regulator with floater

made of stainless steel

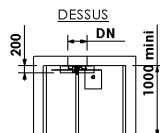
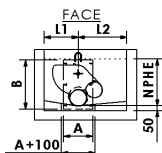


Stainless steel

IMPLEMENTATION

INSTALLATION

On a flat and vertical concrete wall, counter-drill the holes of the frame used as a template. Place the seal on the plate of the FLOREG. Position the expandable anchor plugs after each drilling without locking the nut. Check for the proper operation of FLOREG.



MAINTENANCE

Cf. DQT016 usage and installation notice